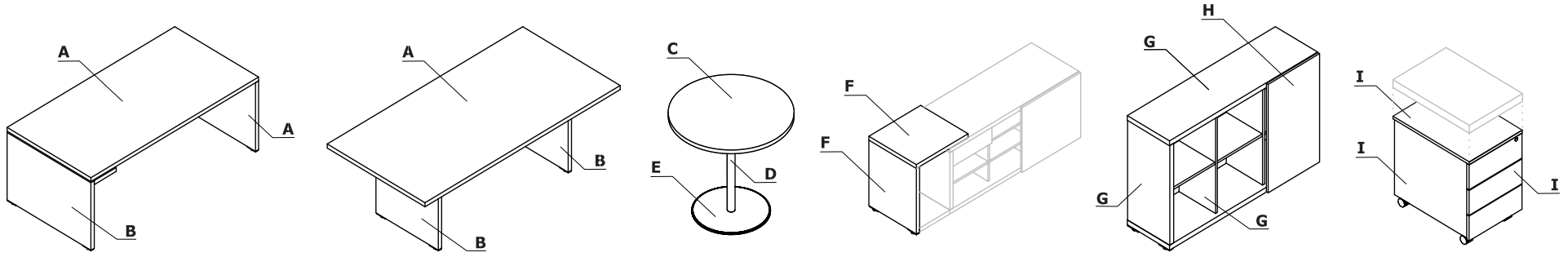
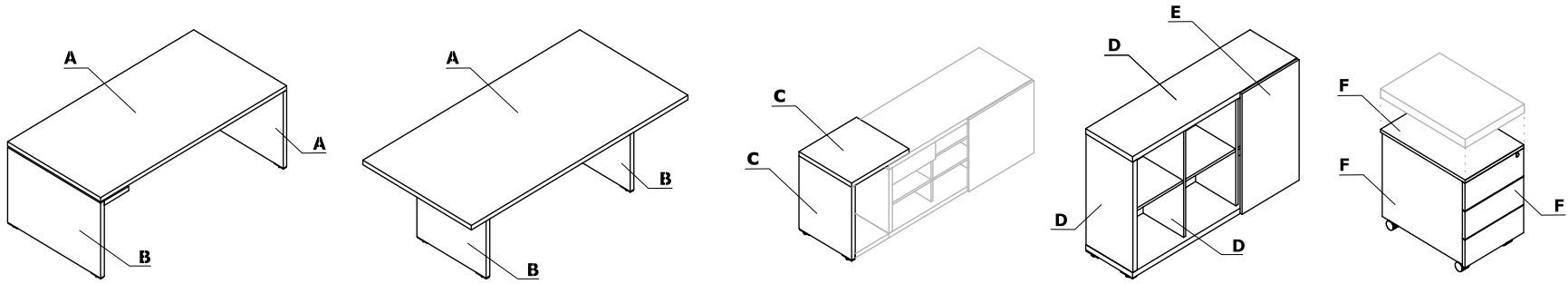


Colour combination - Mito



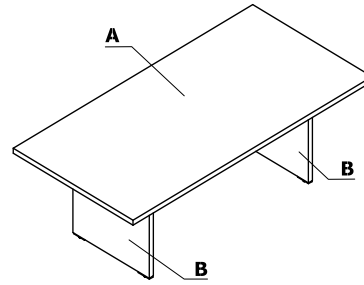
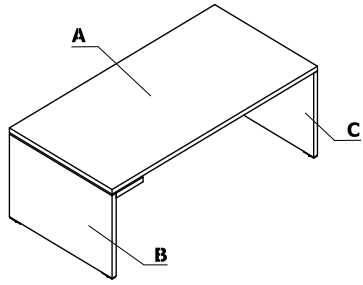
Material	Colour	Desks, MIT11		Tables - disc base			MIT5	Storages with HPL front		Mobile pedestal without handles (SLD12HT, SLD13HT)		Mobile pedestal without handles (MIT120, MIT130)	Desks with managerial storage		
		A - Top	B - Base - HPL	C - Top	D - Supporting leg	E - Disc base	F - Extension	G - Top, base, body	H - Front	I - Top, base, body	J - Front	I - Whole	Grommet		
MFC	172 - amber oak	✓		✓								✓			
	173 - robinia	✓		✓								✓			
	67 - white pastel									✓					
	08 - black									✓					
HPL	73 - white high gloss		✓				✓	✓	✓						
	101 - black high gloss		✓				✓	✓	✓						
	155 - anthracite high gloss		✓				✓	✓	✓						
	174 - beige matte										✓				
	175 - truffle matte										✓				
	176 - red matte										✓				
	177 - grey matte										✓				
	178 - avocado matte										✓				
	179 - bottle green matte										✓				
	180 - Prussian blue matte										✓				
184 - sky-blue matte										✓					

Colour combination - Mito



Material	Colour	Desks - with matte finish elements, MIT29, MIT30, MIT45		MIT36	Storages - with HPL matte finish elements		Mobile pedestal without handles									
		A - Top	B - Base	C - Extension	D - Top, base, body	E - Front	F - Whole									
MFC	172 - amber oak	✓			✓											
	173 - robinia	✓			✓											
	186 - black matte RAL9005		✓	✓	✓	✓	✓									
	188 - white matte RAL 9010		✓	✓		✓	✓									

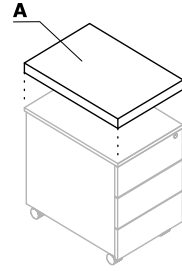
Colour combination - Mito



Material	Colour	Desks - nano-tech Fenix laminate (Antifinger) worktop, MITF29, MITF30, MITF45													
		A - Top	B - Leg	C - Leg											
MFC	172 - amber oak			✓											
	173 - robinia			✓											
	183 - FENIX - black matte	✓													
	186 - black matte RAL9005		✓	✓*											

* option with extra charge

Colour combination - Mito



Material	Colour	Pedestal cushion												
		A - SKP13												
Fabric	Nemo	✓												
	Runner	II group ✓												
	Medley	II group ✓												
	**Atlantic	II group ✓												
	Vita	II group ✓												
	Mica	II group ✓												
	Go Check	II group ✓												
	****Charles	II group ✓												
	*Customer's own fabric	II group ✓												
	Synergy	III group ✓												
	Tessa	III group ✓												
	Oceanic	III group ✓												
	Quest	III group ✓												
	Grain	III group ✓												
	***Silvertex	III group ✓												
	Atlas	IV group ✓												

* Employing the customer's fabric requires running upholstery tests in order to check the possibility of realisation.

** There is a possibility of ordering the product in full colour spectrum of Atlantic range, as per Gabriel's pattern book, within 8 weeks

*** There is a possibility of ordering the product in full colour spectrum of Silvertex range, as per Spradling's pattern book, within 15 working days.

**** There is a possibility of ordering the product in full colour spectrum of Charles range, as per Dekoma pattern book, within the standard delivery time.